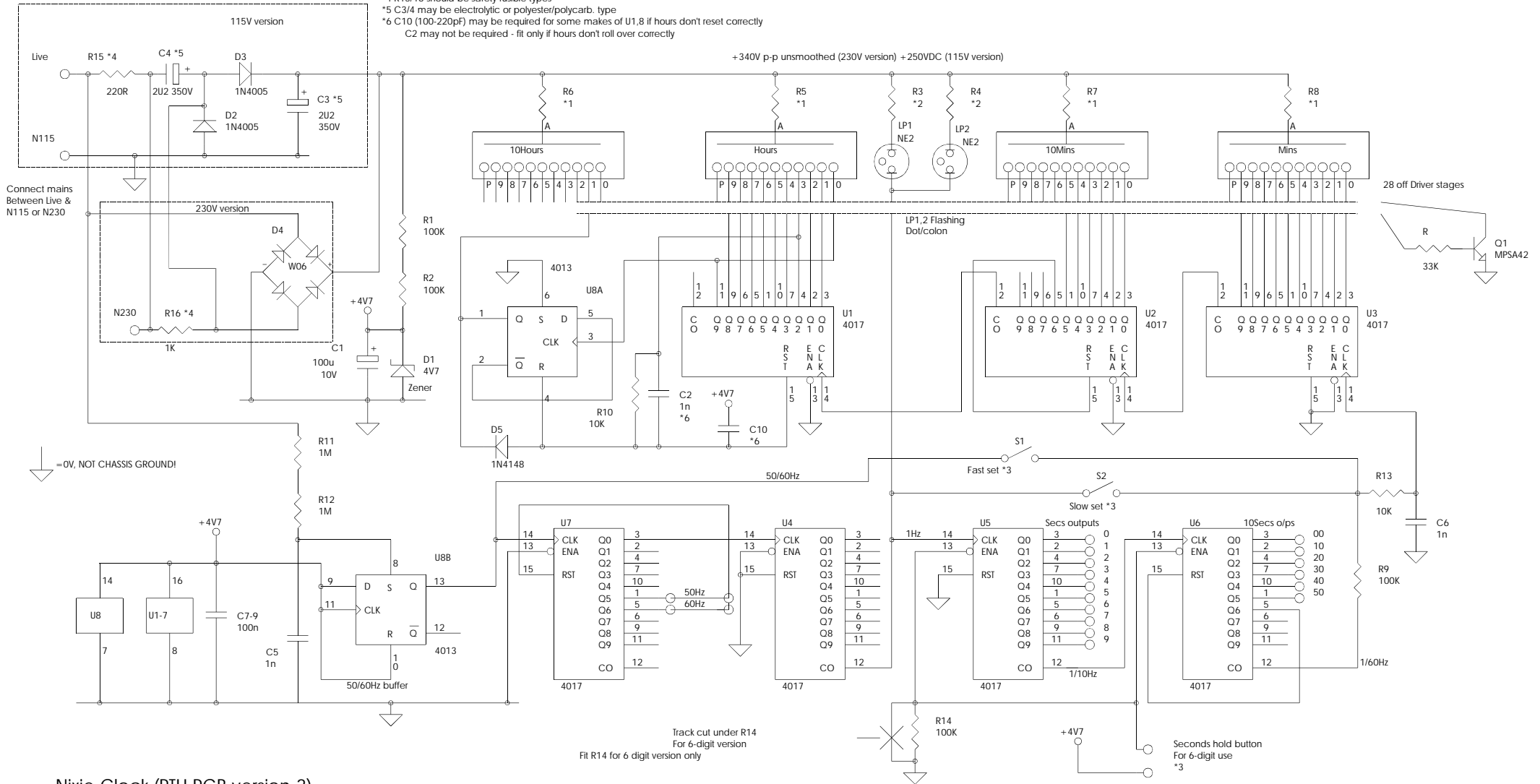


- \*1 R5-8 to suit nixie, -47K (230V)
- \*2 R3,4 to match NE-2 brightness to nixie, -680K
- \*3 Switches must have mains-rated insulation from user
- \*4 R15/16 should be safety fusible types
- \*5 C3/4 may be electrolytic or polyester/polycarb. type
- \*6 C10 (100-220pf) may be required for some makes of U1,8 if hours don't reset correctly  
C2 may not be required - fit only if hours don't roll over correctly



Nixie Clock (PTH PCB version 3)  
 (C) 1999-2000 Mike Harrison  
 DANGER! Entire Circuit is at mains potential!